



# Chains and sprockets for the cement industry

Industry Solutions



## KettenWulf global



**The main factory in Kückelheim not only houses the company headquarters, but also the KettenWulf Engineering Centre. Here we provide worldwide support for customers in all technical issues.**

**Kückelheim, with a production area of 30,000 square metres and a staff of roughly 550, is the largest production facility of the worldwide KettenWulf Group.**

For 90 years, KettenWulf, as an expanding global company, has stood for quality, reliability and flexibility. More than 1200 employees develop, produce and market customized solutions in the field of conveying and drive technology at ten locations across Europe, America and Asia. All around the globe, KettenWulf is your strategic partner when it comes to delivering optimal product quality.

Be it the Sauerland, Hangzhou, Atlanta or Pune – as an international company with worldwide operations, our employees are always at your service to meet your unique business needs and to provide you with industry leading technical support.

Trust, loyalty and commitment – these values are what KettenWulf stands for. As a medium-sized, family-run company, cultivating a strong, personalized partnership with both our customers and suppliers is our highest priority.



**Top:**  
The Chinese production and sales facility in Hangzhou

**Bottom:**  
Production and sales facility in Atlanta, USA

## Selection of the best materials



KettenWulf Chains have gained a reputation as the longest lasting, most reliable chains available for all ranges of bulk material handling applications.

All KettenWulf products meet the highest demands when it comes to wear resistance, dynamic loads and conveying of abrasive media.

### **Fatigue Strength:**

- » smooth surface of pitch holes
- » exactly defined, high press fits between pins, bushings and link plates
- » heat treatment for optimal strength and maximum breaking loads



### **Wear Resistance:**

- » selection of the best materials for appropriate heat treatment
- » optimal hardening penetration through induction or case hardening of pins and bushings
- » providing longer service life and less downtime



### **Reliability:**

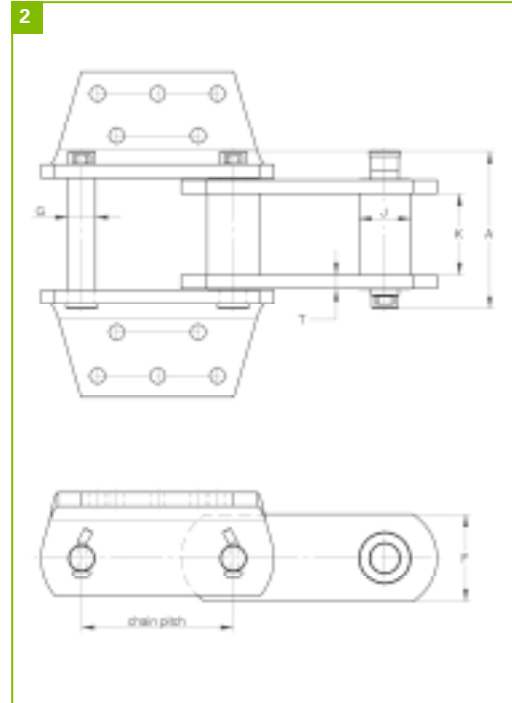
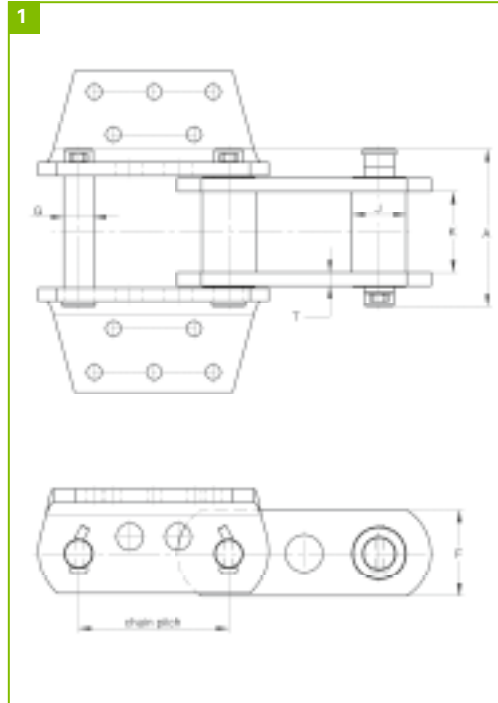
- » highest accuracy of pitch hole dimensions and surface quality
- » 100 % inspection of incoming materials through spectrometer analysis to ensure strict compliance to KettenWulf material standards
- » all processes according to ISO 9001 and ISO 14001



## Central Bucket Elevator Chain

**Illustration 1:**  
Style A

**Illustration 2:**  
Style B



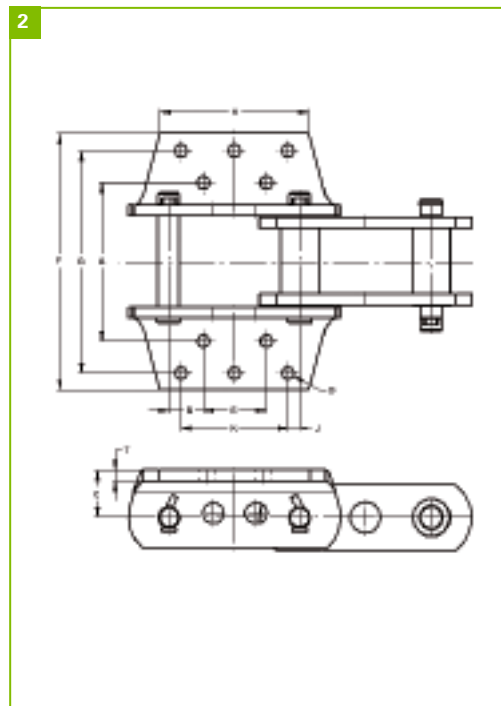
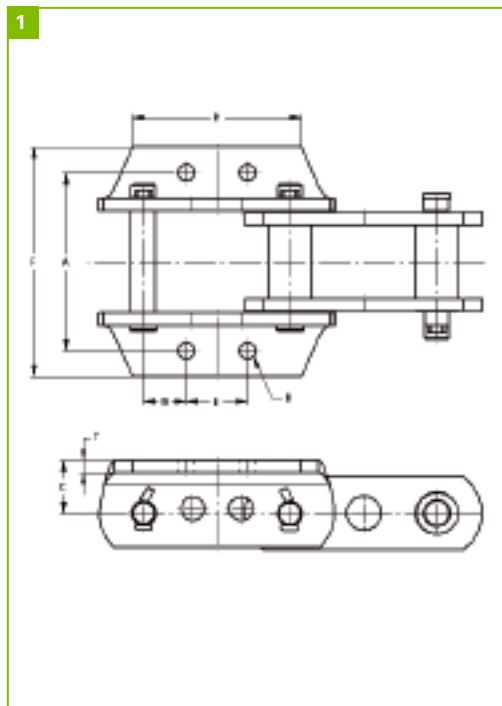
Central Bucket Elevator Chain

Type	Pitch		Style	Breaking load	Pin length		Thickness of plates	Height of plates	Pin dia	Bushing outer dia
	inch	mm			A	K				
KW1856	inch	6.00	B	500 kN	6.44	3.00	0.50	2.50	1.00	1.75
	mm	152.40			152.40	76.20				
KW1956	inch	6.00	A	650 kN	6.44	3.00	0.50	3.00	1.00	1.75
	mm	152.40			163.50	76.20				
KW1857	inch	6.00	B	650 kN	6.44	3.00	0.50	3.25	1.00	1.75
	mm	152.40			163.50	76.20				
KW1958	inch	6.00	A	800 kN	6.44	3.00	0.56	3.25	1.13	2.00
	mm	152.40			163.50	76.20				
KW1859	inch	6.00	B	1000 kN	7.74	3.75	0.62	4.00	1.25	2.38
	mm	152.40			196.60	95.30				
KW1864	inch	7.00	B	1000 kN	7.74	3.75	0.62	4.00	1.25	2.38
	mm	177.80			196.60	95.30				
KW1984	inch	7.00	A	1200 kN	7.74	3.75	0.62	4.00	1.38	2.50
	mm	177.80			196.60	95.30				

# Central Bucket Elevator Chain Attachments

**Illustration 1:**  
K24

**Illustration 2:**  
K44-443



**Central Bucket Elevator Chain Attachments**

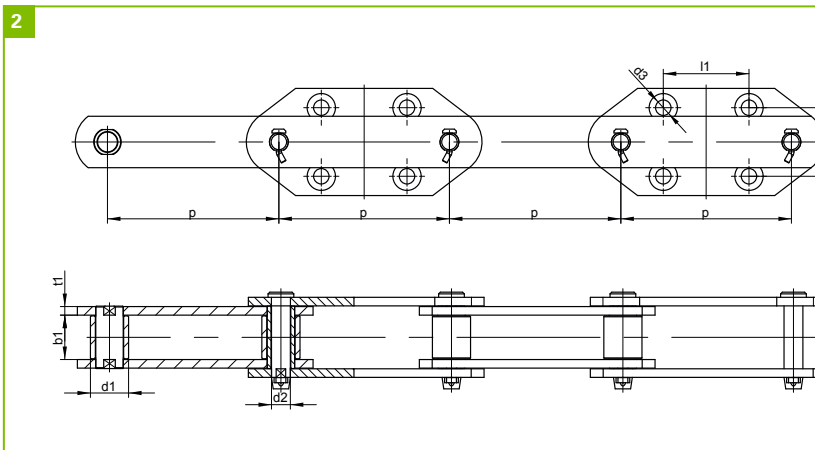
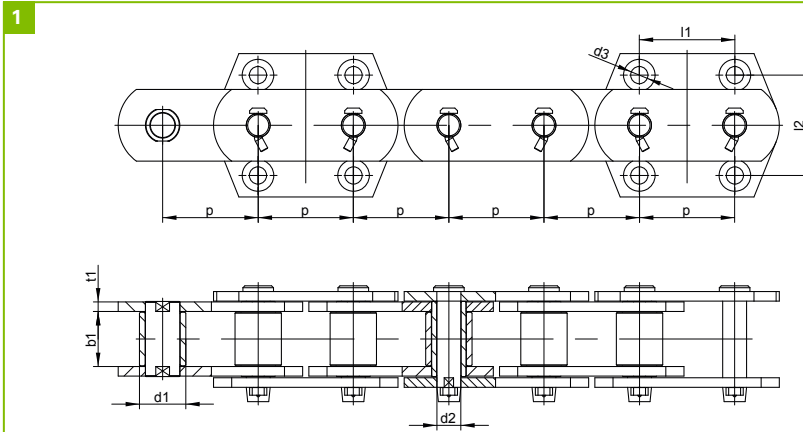
Type	Attachment style	Dimensions											Weight	
		A	B	C	D	E	F	G	H	J	K	T		
<b>KW1856</b>	inch	K24	7.25	1.75	1.88	0.69	2.50	9.38		6.91			0.50	23.0
	mm		184.15	44.45	47.75	17.50	63.50	238.00		176.00			12.70	33.0
<b>KW1956</b>	inch	K24	7.25	1.75	1.88	0.69	2.50	9.38		6.91			0.50	24.0
	mm		184.15	44.45	47.75	17.50	63.50	238.00		176.00			12.70	35.0
<b>KW1857</b>	inch	K44	7.00	1.25	2.50	0.56	3.50	14.00	12.00	5.50	1.25	3.50	0.50	29.0
	mm		177.80	31.75	63.50	14.20	88.90	356.00	304.80	140.00	31.75	88.90	12.70	42.0
<b>KW1958</b>	inch	K44	7.00	1.25	2.50	0.56	3.50	13.68	12.00	5.75	1.25	3.50	0.50	34.0
	mm		177.80	31.75	63.50	14.20	88.90	348.00	304.80	146.00	31.75	88.90	12.70	50.0
<b>KW1859</b>	inch	K44	9.00	1.62	3.00	0.69	2.75	15.00	13.00	5.92	0.75	4.50	0.62	51.0
	mm		228.60	41.15	76.20	17.50	69.85	380.00	330.20	150.00	19.05	114.30	15.70	75.0
<b>KW1864</b>	inch	K443	9.00	1.62	3.00	0.69	3.75	15.00	13.00	7.00	0.75	5.50	0.62	47.0
	mm		228.60	41.15	76.20	17.50	95.30	380.00	330.20	178.00	19.05	139.70	15.70	70.0
<b>KW1984</b>	inch	K443	9.00	1.62	3.00	0.69	3.75	14.88	13.00	7.32	0.75	5.50	0.62	45.0
	mm		228.60	41.15	76.20	17.50	95.30	378.00	330.20	185.00	19.05	139.70	15.70	66.0

» other chains and attachments are available upon request

# Double Strand Bucket Elevator Chains

**Illustration 1:**  
KWSE Chain

**Illustration 2:**  
KWE Chain



## KWSE Chains

Type	Pitch [mm]	Pin dia [mm]	Inner width [mm]	Roller dia [mm]	Thickness of plates [mm]	Fixation holes [mm]	Fixation size [mm]	Breaking load [kN]
	P	$d_2$	$b_1$	$d_1$		$d_3$	$l_1 \times l_2$	
<b>KWSE200</b>	100.0	20.0	51.8	44.5	10.0	18.0	105x100	380
<b>KWSE300</b>	100.0	26.0	57.6	48.5	10.0	18.0	105x100	550
<b>KWSE400</b>	125.0	32.0	67.4	63.5	12.0	18.0	130x125	750
<b>KWSE600</b>	125.0	36.0	75.0	70.0	16.0	18.0	130x125	1000
<b>KWSE800</b>	150.0	39.0	82.5	75.0	16.0	18.0	150x140	1200
<b>KWSE1000</b>	150.0	42.0	92.5	83.0	18.0	18.0	150x150	1500

## KWE Chains

<b>KWE50</b>	152.4	16.0	36.5	36.0	8.0	14.0	75x70	240
<b>KWE100</b>	100.0	22.0	51.8	44.5	10.0	18.0	100x80	380
<b>KWE150</b>	200.0	26.0	57.6	48.5	10.0	18.0	100x80	550
<b>KWE200</b>	250.0	32.0	67.4	63.5	12.0	18.0	140x100	750
<b>KWE300</b>	250.0	36.0	75.0	70.0	16.0	18.0	140x100	1000
<b>KWE400</b>	300.0	40.0	75.0	70.0	16.0	18.0	170x120	1200
<b>KWE500</b>	300.0	40.0	82.5	75.0	16.0	18.0	170x120	1200

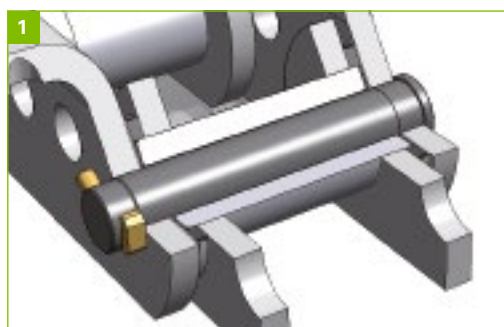
## KettenWulf's Unique Sealing System

After many years of experience handling the most difficult and abrasive materials, KettenWulf has designed the most reliable sealing system in the industry.

### Features:

- » Special factory installed grease decreases wear in the chain joint
- » Labyrinth seal assures no lubricant leaks out
- » Stainless steel cover not only protects the seal, but is also an integral part of the labyrinth system
- » Seal in multiple lip design increases sealing action preventing material from entering the chain joint

**Illustration 1:**  
KettenWulf's Sealing System



## Sprockets and Wheels for complete drive systems

Sprockets and traction wheels are a critical factor for the capacity and endurance of every chain system. To ensure the same high quality standard of all products, KettenWulf relies on the production of their own sprockets. In addition to sprockets with DIN/ISO/ANSI gearing, our product range also covers individual solutions with optimised tooth profiles and wheel sizes.

**Illustration 2:**  
Segmental type sprocket



**Illustration 3:**  
Segmental type traction wheel



# Contacts worldwide

## **KettenWulf Betriebs GmbH**

Zum Hohenstein 15  
D-59889 Eslohe-Kückelheim  
Deutschland  
T + 49.(0) 2973.801 0  
F + 49.(0) 2973.801 228  
service@kettenwulf.com

## **KettenWulf NV**

Division Dyna Chains  
Venecoweg 20A - De Prijkels E17  
B-9810 Nazareth  
Belgien  
T + 32.(0) 9.243 73 80  
F + 32.(0) 9.221 56 03  
belgium@kettenwulf.com

## **KettenWulf**

Representative Office Poland  
ul. Ogrodowa 34 B\4  
PL-65-001 Zielona Góra  
Polen  
T + 48.(0) 68.325 43 37  
F + 48.(0) 68.325 43 37  
poland@kettenwulf.com

## **KettenWulf Betriebs GmbH**

Liaison Office Turkey  
Varyap Meridian Grand  
Tower A-Block No: 58  
34746 Atasehir - Istanbul  
Turkey  
T +90.(0) 216.510 47 94  
F +90.(0) 216.510 47 94  
turkey@kettenwulf.com

## **KettenWulf Betriebs GmbH**

Export Branch Office  
Am Fallturm 5, Gebäude 2  
28359 Bremen  
Deutschland  
T + 49.(0) 421.696 939 0  
F + 49.(0) 421.696 939 49  
export@kettenwulf.com

## **Hangzhou Wulf Chain Co. Ltd.**

40 Tangning Road, Yunhe Town  
Yuhang District  
311102 Hangzhou  
P.R. China  
T + 86.(0) 571.861 899 00  
F + 86.(0) 571.861 899 50  
china@kettenwulf.com

## **KettenWulf**

Representative Office Japan  
Monoh 4-chome, 14-13  
Minoh-shi  
Osaka 562-0001  
Japan  
T +81.(0) 72.796 24 24  
F +81.(0) 72.722 20 99  
japan@kettenwulf.com

## **KettenWulf GmbH**

Division Ferlacher Förderketten  
A-9163 Unterbergen 25  
Österreich  
T + 43.(0) 4227.25 27  
F + 43.(0) 4227.35 94  
austria@kettenwulf.com

## **KettenWulf USA, L.P.**

The Woodlands at Riverside  
8110 Troon Circle SW, Suite 170  
Austell, GA 30168-7852  
USA  
T +1.(0) 678.433 02 10  
F +1.(0) 678.433 02 15  
usa@kettenwulf.com

## **KettenWulf Betriebs GmbH**

A-104, Samartha Carina,  
Near Aditya Birla Hospital,  
Thergaon  
Pune-411033  
Indien  
M + 91.(0) 98.905 031 64  
india@kettenwulf.com